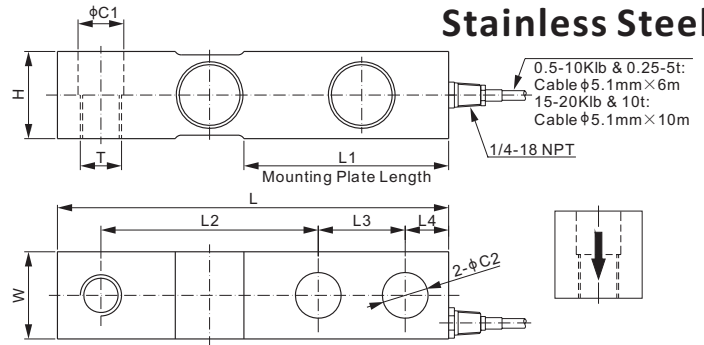




Stainless Steel



RATED CAPACITY	C1	C2	H	L	L1	L2	L3	L4	W	T
lb/inches										
500-4,000; SE5,000	0.53	0.53	1.22	5.12	2.25	3.00	1.00	0.62	1.22	1/2-20 UNF-2B
5,000-10,000	0.79	0.79	1.50	6.75	3.00	3.75	1.50	0.75	1.50	3/4-16 UNF-2B
15,000-20,000	1.03	1.03	2.00	8.75	4.00	4.75	2.00	1.00	2.00	1-14 UNS-2B
kg/mm										
250-2,000	13.5	13.5	31.0	130.0	57.2	76.2	25.4	15.8	31.0	M12X1.75
3,000;5,000	20.0	20.0	38.1	171.5	76.2	95.3	38.1	19.1	38.1	M18X1.50
10,000	26.2	26.2	50.8	222.3	101.6	120.7	50.8	25.4	50.8	M24X2.00

SPECIFICATIONS			
Full Scale Output	563YS: 2.0 mV/V ± 0.25%; 563YS30: 3.0 mV/V ± 0.25%	Recommended Excitation	10V (15V Maximum)
Zero Balance	± 0.02 mV/V	Insulation Resistance	>2 [50V DC] GΩ
Non-linearity	< ± 0.023%	Compensated Temperature Range	-10°C to 50°C / 14°F to 122°F
Repeatability	< ± 0.023%	Safe Overload	150% of full scale
Hysteresis Error	< ± 0.023%	Breaking Overload	300% of full scale
Creep in 30 min.	< ± 0.030%	Seal Type / IP Rating	Welded Seal / IP68
Input Resistance	350Ω ± 7	Cable Color Code	Exc+ Red Exc- Black Sig+ Green Sig- White Shield Bare
Output Resistance	350Ω ± 3		
Element Material	17-4PH Stainless Steel		

WEIGH MODULE	
Model	Page
563YSM3-02.....	165

PART NUMBER*		
Rated Capacity	Part No.	Weight Approx. (kg)
500lb.....	563YS-500lb	1.0
	563YS30GS-500lb.....	1.0
1Klb	563YS-1Klb	1.0
	563YS30-1Klb	1.0
2.5Klb	563YS-2.5Klb	1.0
	563YS30-2.5Klb.....	1.0
4Klb	563YS-4Klb	1.0
	563YS30-4Klb.....	1.0
SE5Klb.....	563YS-SE5Klb	1.0
	563YS30-SE5Klb	1.0
5Klb	563YS-5Klb	1.8
	563YS30-5Klb.....	1.8
10Klb	563YS-10Klb	1.8
	563YS30-10Klb.....	1.8
15Klb	563YS-15Klb.....	4.1
	563YS30-15Klb.....	4.1
20Klb	563YS-20Klb.....	4.1
	563YS30-20Klb.....	4.1
250kg.....	563YS-250kg	1.0
500kg.....	563YS-500kg	1.0
1t	563YS-1t	1.0
2t	563YS-2t	1.0
3t	563YS-3t	1.8
5t	563YS-5t	1.8
10t	563YS-10t.....	4.1

INTERCHANGEABLE REFERENCE	
Brand	Model
563YS	
Coti Global.....	CG-23-SSW-02
Rice Lake.....	RL35082
Rice Lake.....	RLHTO
Vishay Sensortronics.....	65083S
Vishay Tedeo-Huntleigh.....	3510-kg
563YS30	
Artech.....	SS30310
Coti Global.....	CG-23-SSW-03
HBM.....	B35*/H35**
Mettler-Toledo.....	0793
Rice Lake.....	RL32018S*
Rice Lake.....	RL32018S-HE
Rice Lake.....	RL35023S*
Rice Lake.....	RL35083
Rice Lake.....	RL39123
Vishay Celtron.....	SQB-HSS
Vishay Revere Transducers.....	9123
Vishay Sensortronics.....	65023S*
Vishay Sensortronics.....	65023SS***
Vishay Sensortronics.....	65083
Vishay Tedeo-Huntleigh.....	3510-lbs

* Environmentally sealed / ** Welded seal
 *** Environmentally sealed for capacities 1Klb-10Klb

	563YS, 500lb-2.5Klb & 250kg-1t: NTEP 1:5 000 Class III, S; NTEP 1:9 500 Class III, M 4Klb-20Klb & 2t-5t: NTEP 1:6 000 Class III, S; NTEP 1:10 000 Class III, M
	563YS30, 500lb-2.5Klb: NTEP 1:5 000 Class III, S; NTEP 1:9 500 Class III, M 4Klb-20Klb: NTEP 1:6 000 Class III, S; NTEP 1:10 000 Class III, M
	563YS, 1Klb-5Klb & 500kg-2t: OIML MAA C5, Y=26 000; 10Klb-20Klb & 3t-10t: OIML MAA C6, Y=8 500; 563YS30, 1Klb-5Klb: OIML MAA C4, Y=15 000; 10Klb-20Klb: OIML MAA C6, Y=8 500;

- Environmentally sealed for 563YS30, capacity=500lb
 - SE refers to small envelope
 * ATEX, FM, IECEx approved versions carry the "-Ex" suffix.

SINGLE ENDED BEAMS