

## Data Sheet

# TempoLink Smart Assistant

## Magnetostrictive Linear Position Sensors

- Quick setup & diagnostics for R-Series V
- No additional software needed
- Easy access via smartphone, tablet or computer



Tablet not included in the scope of delivery!

**V**  
THE NEW GENERATION

## THE ACCESSORY FOR THE R-SERIES V

The TempoLink smart assistant is an accessory for the R-Series V sensors family. It supports the setup of the sensor in the application as well as providing additional status information for sensor diagnostics.

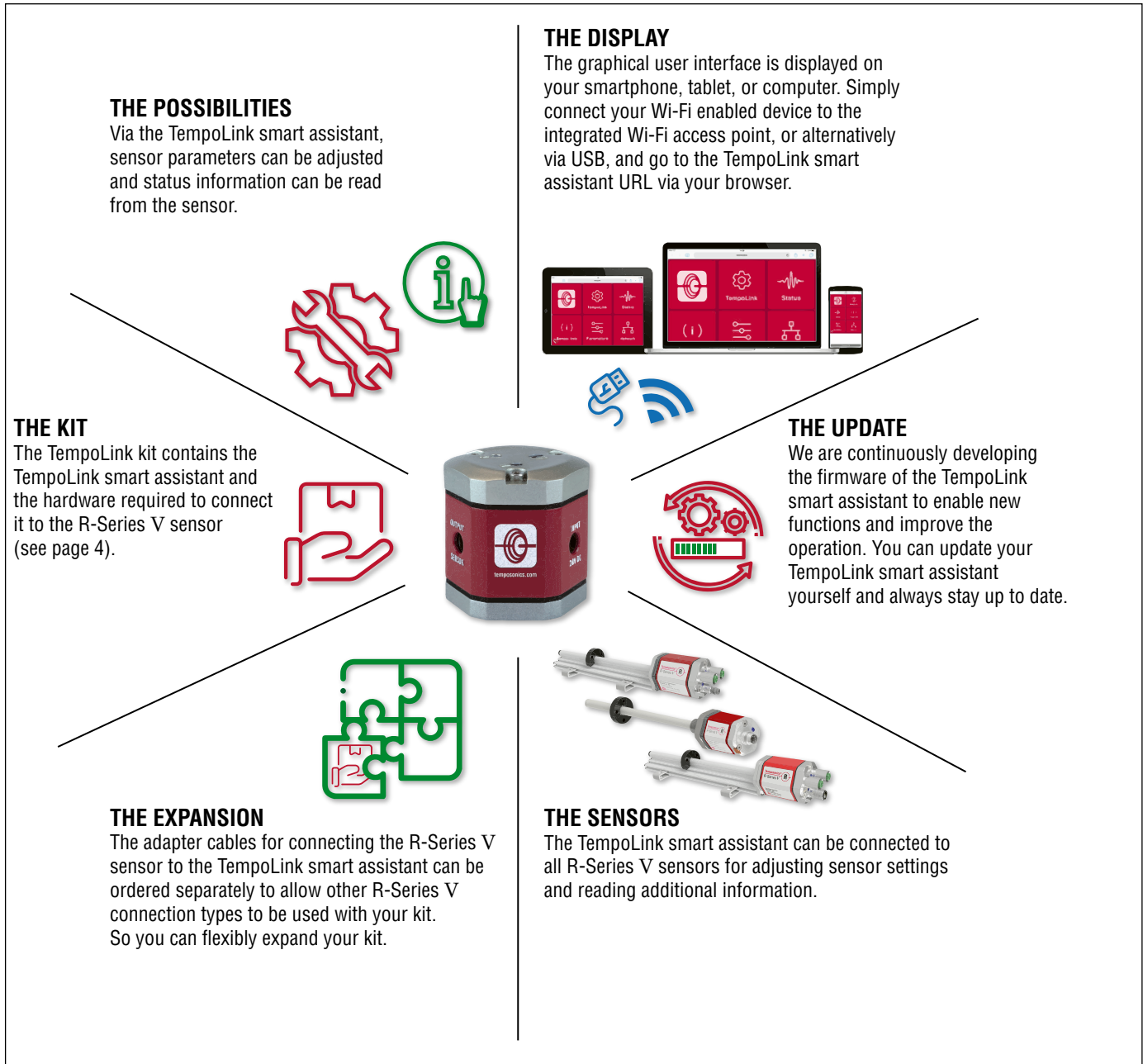


Fig. 1: The main advantages of the TempoLink smart assistant

## TECHNICAL DATA

Operating conditions	
Operating temperature	-20...+60 °C (-4...+140 °F)
Humidity	10...90 % relative humidity, no condensation
Ingress protection	IP30
Design / Material	
Housing	ABS plastic
Dimensions (h × w × d)	54 × 44 × 53 mm (2.1 × 1.7 × 2 in.)
Electrical connection	
Connection type	1 × micro USB 1 × barrel connector 2.1 × 5.5 mm (female) 1 × barrel connector 2.5 × 5.5 mm (female)
Operating voltage	+24 VDC
Power consumption	15 W (when connecting an R-Series V sensor)
Wi-Fi	
Wi-Fi standard	IEEE 802.11b/g/n
Frequency range	2.4 GHz: 2.412 GHz...2.472 GHz

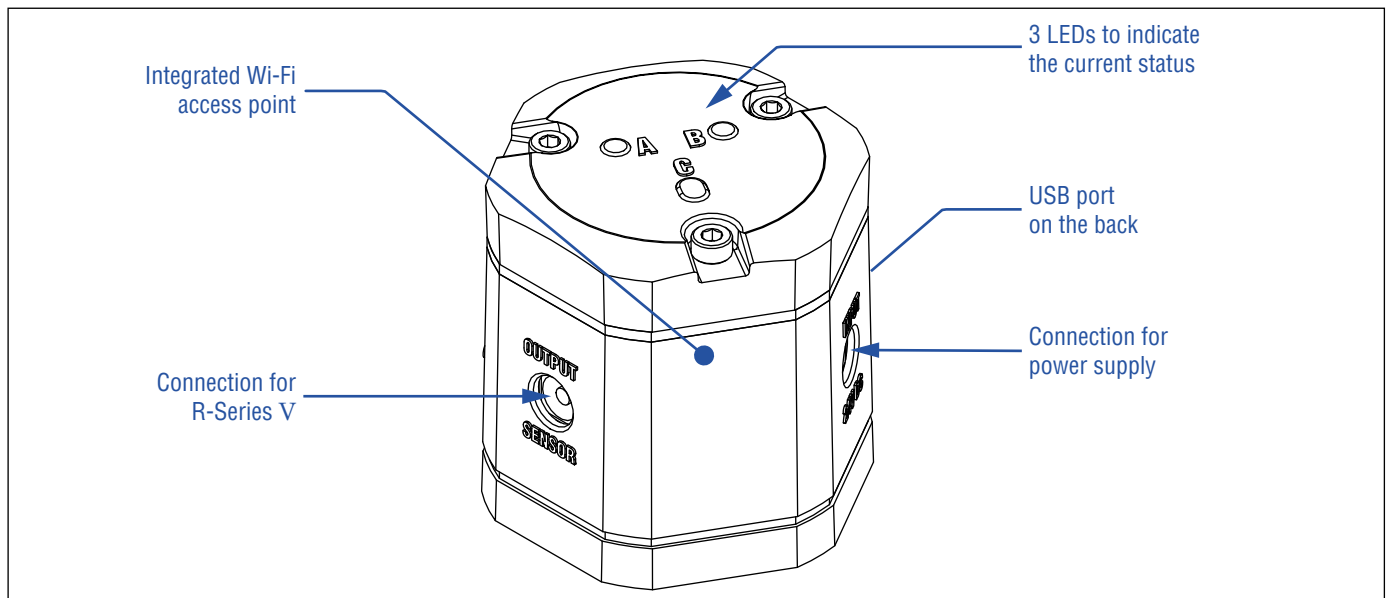


Fig. 2: The connection possibilities and status LEDs at the TempoLink smart assistant

## CONTENT OF THE TempoLink KIT

The TempoLink kit contains the components required to connect the TempoLink smart assistant to a specific R-Series V sensor.

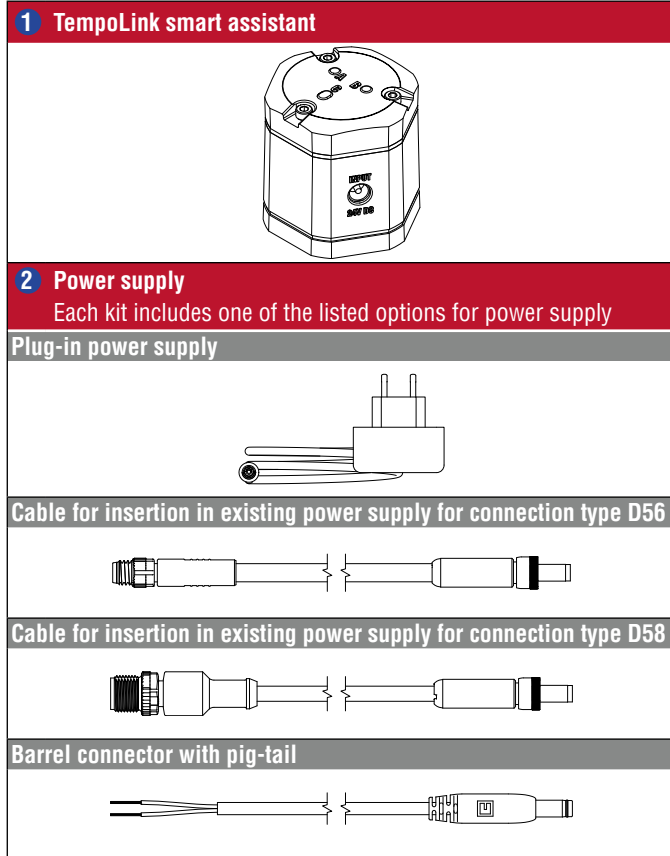


Fig. 3: Package contents of the TempoLink kit based on the kit order code (see page 6), part 1

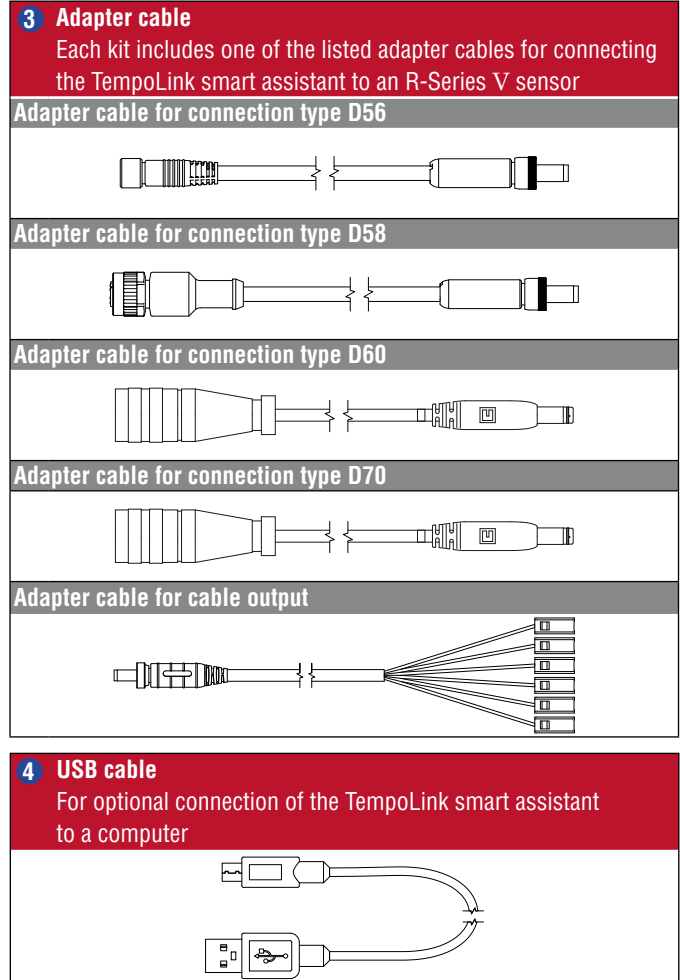






Fig. 4: Package contents of the TempoLink kit based on the kit order code (see page 6), part 2


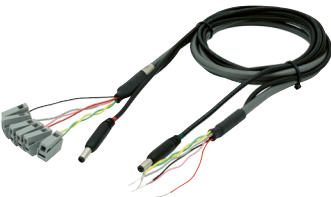

## FREQUENTLY ORDERED ACCESSORIES

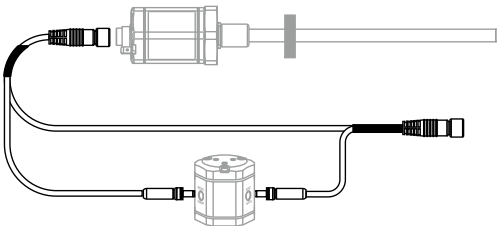
### Adapter cables for connection of TempoLink smart assistant to a specific R-Series V sensor

			
<b>Adapter cable for D56</b> <b>M8 female connector (4 pin) – barrel</b> <b>Part no. 254 887-1</b>	<b>Adapter cable for D58</b> <b>M12 female connector (4 pin) – barrel</b> <b>Part no. 254 897-1</b>	<b>Adapter cable for D60</b> <b>M16 female connector (6 pin) – barrel</b> <b>Part no. 254 989-1</b>	<b>Adapter cable for D70</b> <b>M16 female connector (7 pin) – barrel</b> <b>Part no. 254 990-1</b>
Material: PVC Cable length: 1.5 m For connection type: D56 (EtherCAT®/EtherNet/IP™/POWERLINK/PROFINET)	Material: PUR Cable length: 1.5 m For connection type: D58 (EtherCAT®/EtherNet/IP™/POWERLINK/PROFINET)	Material: PVC Cable length: 1.5 m For connection type: D60 (Analog)	Material: PVC Cable length: 1.5 m For connection type: D70 (SSI)

### Adapter cable

### Inline cables

		
<b>Adapter cable for cable output</b> <b>6 × terminal clamps – barrel</b> <b>Part no. 255 043-1</b>	<b>Inline cable for cable output (SSI)</b> <b>6 × terminal clamps – pigtail with 2 barrel connectors</b> <b>Part no. 255 004</b>	<b>Inline cable for D70</b> <b>M16 female connector (7 pin) – M16 connector male (7 pin) with 2 barrel connectors</b> <b>Part no. 254 994-1</b>
Material: PVC Cable length: 1.5 m For connection type: Cable output (Analog/SSI)	Material: PVC Cable length: 1.5 m For connection type: Cable output (SSI)	Material: PVC Cable length: 1.5 m For connection type: D70 (SSI)



**Inline cable**

- The TempoLink smart assistant can be used to read out R-Series V status information during operation.
- SSI combines power supply and data lines in one cable.
- Inline cable allows the TempoLink smart assistant to be connected in parallel to the data transfer to the control. So status information can be read during operation of the R-Series V SSI sensor while the TempoLink smart assistant is connected.

## ORDER CODE

1	2	3	4	5	6	7	8
T	L		0				
a		b	c	d			

<b>a</b>	<b>Type</b>
T L	TempoLink smart assistant kit

<b>b</b>	<b>Power supply</b>
1	Plug-in power supply with plug adapters (AU, CCC, EU, UK, US)
2	Cable for insertion in existing sensor power supply with sensor mating connector and barrel connector (for connection type D56)
3	Cable for insertion in existing sensor power supply with sensor mating connector and barrel connector (for connection type D58)
4	Barrel connector with pig-tail for connection to an existing power supply

<b>c</b>	<b>Option</b>
0	No options

<b>d</b>	<b>Adapter cables for connection to R-Series V</b>
E M 0 8	Cable with M8 female connector (4 pin) for connection type D56 (EtherCAT®/EtherNet/IP™/POWERLINK/PROFINET) (part no. 254 887-1)
E M 1 2	Cable with M12 female connector (4 pin) for connection type D58 (EtherCAT®/EtherNet/IP™/POWERLINK/PROFINET) (part no. 254 897-1)
S D 7 0	Cable with M16 female connector (7 pin) for connection type D70 (SSI) (part no. 254 990-1)
A S 0 0	Cable with 6 × terminal clamps for connection type cable output (Analog/SSI) (part no. 255 043-1)
A D 6 0	Cable with M16 female connector (6 pin) for connection type D60 (Analog) (part no. 254 989-1)

## DELIVERY



### TempoLink smart assistant kit

- TempoLink smart assistant
- One of the three options for the power supply
- One adapter cable to connect TempoLink smart assistant to R-Series V sensor
- USB cable for optional connection of TempoLink smart assistant to a computer

Adapter cables to connect TempoLink smart assistant to sensors of R-Series V can be ordered separately

Manuals, Software & 3D Models available at:  
[www.temposonics.com](http://www.temposonics.com)

**Document Part Number:**  
552070 Revision C (EN) 08/2021

**UNITED STATES**  
**Temposonics, LLC**  
Americas & APAC Region  
3001 Sheldon Drive  
Cary, N.C. 27513  
Phone: +1 919 677-0100  
E-mail: info.us@temposonics.com

**GERMANY**  
**Temposonics**  
**GmbH & Co. KG**  
EMEA Region & India  
Auf dem Schüffel 9  
58513 Lüdenscheid  
Phone: +49 2351 9587-0  
E-mail: info.de@temposonics.com

**ITALY**  
Branch Office  
Phone: +39 030 988 3819  
E-mail: info.it@temposonics.com

**FRANCE**  
Branch Office  
Phone: +33 6 14 060 728  
E-mail: info.fr@temposonics.com

**UK**  
Branch Office  
Phone: +44 79 44 15 03 00  
E-mail: info.uk@temposonics.com

**SCANDINAVIA**  
Branch Office  
Phone: + 46 70 29 91 281  
E-mail: info.sca@temposonics.com

**CHINA**  
Branch Office  
Phone: +86 21 2415 1000 / 2415 1001  
E-mail: info.cn@temposonics.com

**JAPAN**  
Branch Office  
Phone: +81 3 6416 1063  
E-mail: info.jp@temposonics.com



**temposonics.com**